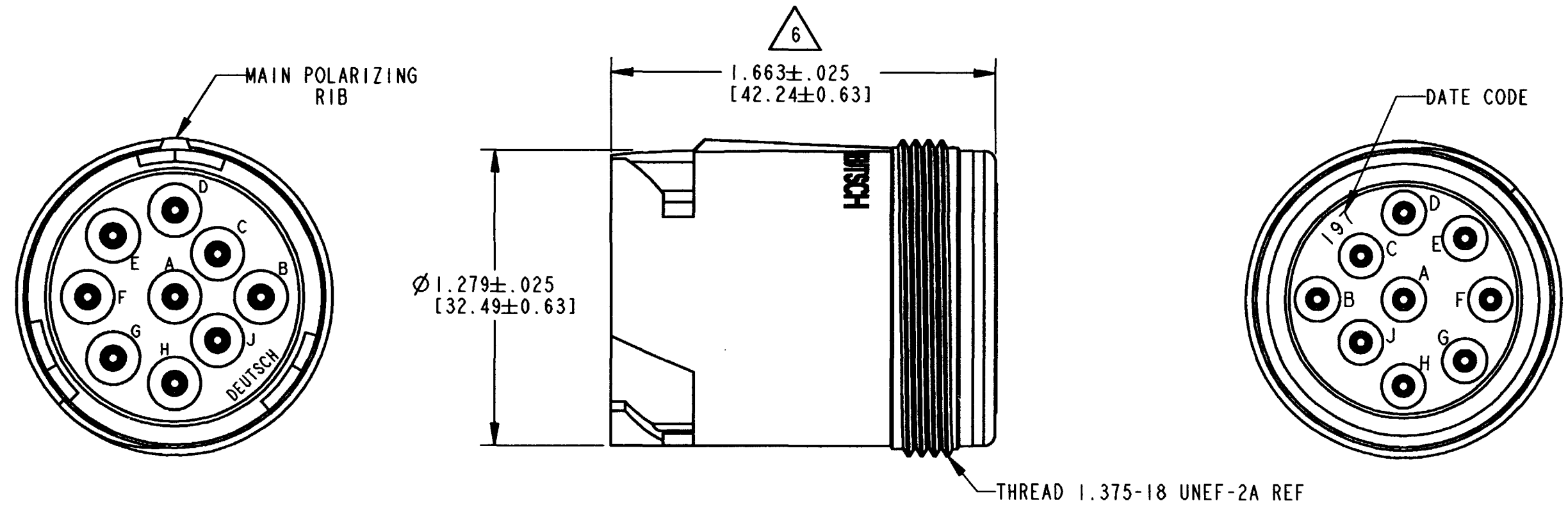


REV
A HD14-9-96PE

REVISIONS			
SYM	DESCRIPTION	DATE	APPROVED
NC	NEW RELEASE PER E.O. P15296	6/16/97	J.E.N.
A	REVISED PER E.O. P18371	10-28-03	RDR



4. FOR PERFORMANCE AND APPLICATION CHARACTERISTICS OF SOLID OR STAMPED AND FORMED CONTACTS AND WIRES, SEE ENVELOPE DRAWING 0425-015-0000.

7. MATERIAL: SHELL: PLASTIC; SEAL: RUBBER.

3. THIS CONNECTOR WILL ACCOMMODATE THE FOLLOWING WIRE INSULATION DIAMETERS:

6. OVERALL DIMENSION DOES NOT INCLUDE RUBBER GROMMET.

CONTACT SIZE	MINIMUM O.D.	MAXIMUM O.D.	AWG WIRE GAGE RANGE [mm ²]
16	.053 [1.35]	.120 [3.05]	20 THRU 14 [1.5 - 2.0]

5. THIS RECEPTACLE MATES WITH HD16-9-96S* PLUG (* = SEAL TYPE).

2. ALL DIMENSIONS ARE INCHES [MILLIMETERS].
1. CONSULT FACTORY FOR ELECTRICAL AND MATERIAL SPECIFICATIONS.

NOTES:

SIGNATURE & DATE	
DR	X. SANCHEZ 08NOV02
CHK	Jami C. [Signature] 10/27/02
PE	[Signature] 10/27/02
APPD	R. [Signature] 10-28-03
SCALE	NONE WT

INLINE RECEPTACLE
CONNECTOR WITH
REDUCED "E" WIRE SEALS
HD10 SERIES

ENVELOPE

CP	MATL. CODE
The Deutsch Company DEUTSCH I. P. D. 3850 INDUSTRIAL AVE. HEMET, CALIF. 92545	
B	HD14-9-96PE
DWG SIZE	CODE 11139 SHEET OF